

WiFi Phoenix



The **Phoenix** family of Street & Road fixtures by Juganu revolutionizes urban spaces by turning them into smart, connected environments. These fixtures combine public Wi-Fi with Juganu’s proprietary wireless broadband infrastructure between fixtures, and enable **seamless connectivity across large spaces**. With a high system efficacy of up to 140 LPW, Phoenix1 fixtures deliver **significant energy savings**—up to 90% compared to HPS lamps and 30% compared to other LEDs.

Features

- Wireless connectivity - Powered by AC only (Ethernet Is not required)
- Wirelessly controlled and monitored for easy access and management
- High-performance Wi-Fi - Supports seamless, robust connectivity for public networks and IoT devices

Benefits

- Transforms any space into a digital smart environment
- Quick and easy installation
- High lumen output with excellent energy efficiency
- Full city-scale solution – Complements our smart Phoenix/Solitaire, maintaining a network coverage, even in areas without cameras and edge processing



The Information provided herein is subject to change without prior notice by Juganu. Please verify all details with Juganu. Any information included in this document is and shall remain, always, the exclusive property of Juganu Ltd. and/or its licensors. Neither the furnishing, receipt or possession of any information thereof shall constitute the granting or transferring of any right or license to copy, use or reproduce such information or any physical article or device, or any part thereof, nor to derive any benefit therefrom, in any way, unless approved otherwise in writing by Juganu Ltd.

Juganu HQ
 1 Yahadut Canada St., Or-Yehuda, Israel
 Tel.: + 972-3-5310031
sales@juganu.com

JL-DS-PHOENIX_1_WIFI_2930 REV 1.3

WiFi Phoenix1

City & Infrastructure

GENERAL INFORMATION

Dimensions (mm)	796*373*207 mm (31.3 x 14.7 x 8.2 in)
Weight	18 kg (40 lb)
Materials	Cast Aluminum body with powder paint, Polycarbonate (PC), Glass
Color	Grey (Ral7042)

OPERATING AND ELECTRICAL

Power Consumption	Up to 120W - Road Lighting Up to 60W – Smart space capabilities
Surge Protection	10 kV
Power Factor	> 0.92, max current THD 15% at 220V
Operating Voltage	110 – 240 VAC
Maximum Voltage	264 VAC
Operating Frequency	47Hz – 63 Hz
Dimming	Wireless control
Operating Temperature	-40°C to 50°C (-40°F to +122°F)
Cooling	Passive cooling
Ingress Protection rate	IP66
Impact Protection	IK08

LIGHTING CHARACTERISTICS

Lumen Maintenance	TM21 based on ISTMT and LM80 L90 > 60,000 hours L70 > 140,000 hours
Correlated Color Temperature (CCT)	3000K , 4000K (configurable at purchase)
Color Rendering Index (CRI)	>70
System Efficacy	Up to 140 lm/w for road lighting

WiFi Phoenix1

City & Infrastructure

ACCESS POINT SERVICE

Wireless Technology	802.11ax ,WiFi 6 2.4GHz ,CH1-11 5GHz U-NII-1, U-NII-3 (band automatically enabled when JNET2 backhaul channel is not in use) Up to 250 connected Wi-Fi users
Antenna Types	Omni 4x4

WIRELESS LIGHTING CONTROL

Wireless Lighting control	Juganu proprietary mesh technology SubG frequency 868/915/433 MHz
---------------------------	--

JNET 2 MULTI-LEVEL WIRELESS BACKHAUL

Wireless technology, dual radio	802.11ax WiFi6, WiFi6E ready, MIMO 4x4, BW: 20 MHz, 40 MHz ,80 MHz, 160MHz (optional) Frequency band: 5160-7115MHz U-NII-1, U-NII-3, U-NII-4, U-NII-5, U-NII-6, U-NII-7, U-NII- 8
Antenna Types	Omni 4x4
Max Aggregated EIRP	<36dBm

WiFi Phoenix1

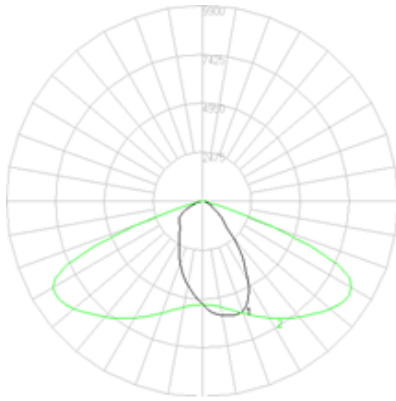
City & Infrastructure

STANDARDS (additional local standards applicable)
The product is designed to meet the following standards:

Group	Standard abbreviation	Description
EMC	FCC Part 15 Subpart B CISPR 32	Emission
	ETSI EN 301 489-1,3 ETSI EN 301 489-17,19	Immunity
Radio	ETSI EN 301 893 EN 300 220-1,2 FCC Part 15 Subpart C	Radio Standards
	EN 13032-1 IESNA LM-79 – 2008	Photometric
Photometrics	IEC 62471:2006 IEC62778 and IEEE1789	Photo-biologic, exempt Blue light
	IEC 60529, IEC60598-1	Protection rate
Mechanics and Environment	ETSI EN 300 019-1-4 Class 4.1 IEC60598-1	Environmental
	IEC 60598-2-3	Wind Load
	ISO9227 1000H	Solt Fog
	IEC 62262	Mechanical Impact
Safety	IEC 60598-2-3 IEC60598-1 IEC 62368-1	Contains: Dielectric strength Insulation resistance Leakage current Protection against electric shock Torque resistance of screws and fittings Weight/wind
	UL 1598	UL Standard for Safety of Luminaires for the North America market
	IEC 62031	Safety of LED board
	EN61347-1, EN61347-2-13, EN62384	LED driver safety
Luminaire Performance Test	EN 62722-1 EN 62722-2-1:2016, EN 62717	Lumens and CRI performance test over 1000 hours
	ISTMT TM-21, LM-80	Temp. of LED, Driver

Photometric Curves

D01 Type I, Short




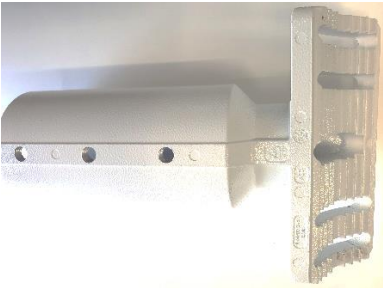


Mounting

- Integral die cast mounting pole stop feature
- Suitable for 50.8 – 60 mm (2.00 - 2.36 in.) mounting pole
- Inclination: integrated with $\pm 15^\circ$, can be 90° for pole with no arm (post up)

Performance (4000K)

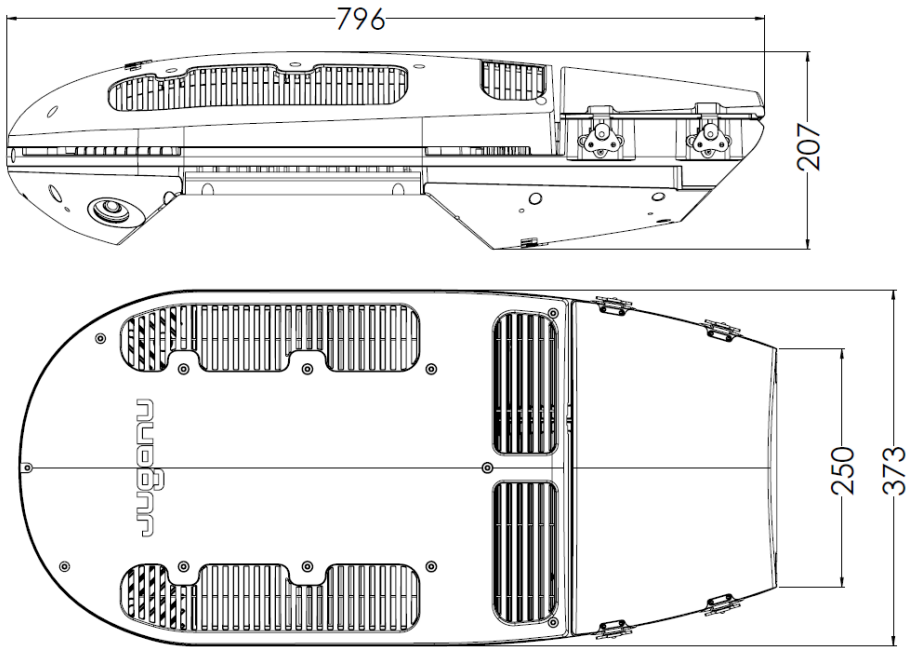
Power [W]	Typ. efficacy [LPW]	Total lumens [LM]
120W	140	16,800

Package Contents

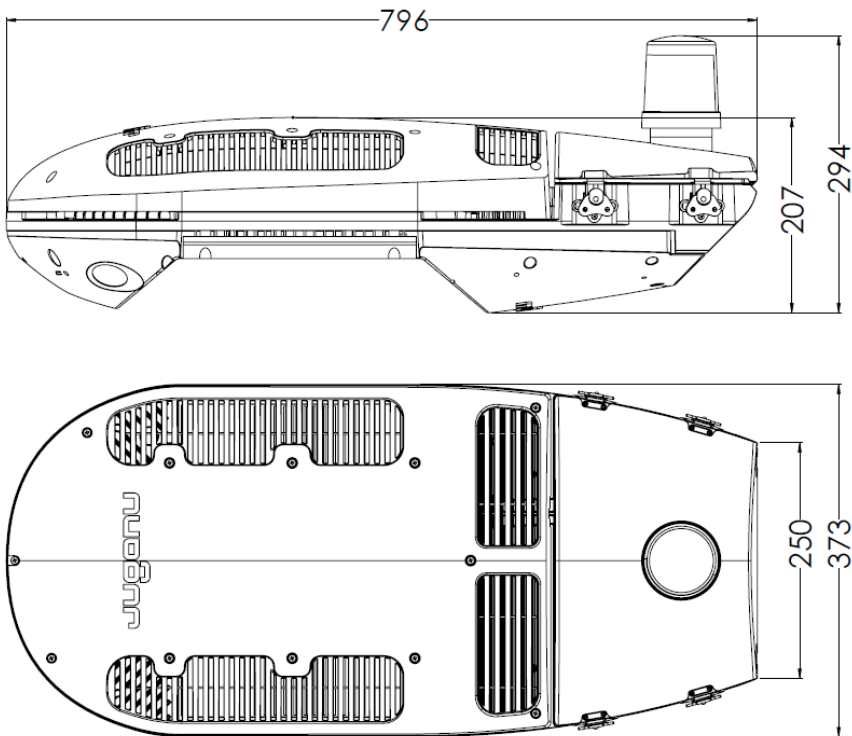
<input type="checkbox"/> WiFi Phoenix1 fixture	
<input type="checkbox"/> Mounting arm	
<input type="checkbox"/> M25 cable gland	
<input type="checkbox"/> 3-pin AC junction box connector	

Mechanical Dimensions

WiFi Phoenix1 NO NEMA



WiFi Phoenix1 With NEMA



Packaging and Weight

Lighting Fixtures Dimensions(mm)	Packaging Dimensions (mm)	Net Weight	Gross weight
796*373*207 mm 31.3 x 14.7 x 8.2 in	1200*380*240 mm 47.3*15*9.5 in	18 kg 40 lb	20 kg 44 lb

Ordering Information

Product	Family	Power	CCT	NEMA	Distribution curve
JLED-SL	WIFI PHOENIX1	120W	xx	xx	Dxx

CCT	30 - 3000K	
	40 - 4000K	Default
NEMA Socket	Blank - no NEMA	Default
	ND - with NEMA and Dali	
	NA - with NEMA and PWM	
Distribution curves (see distribution curve)	D01 -Type I, Short	Default

Ordering Example

Order Code: *JLED-SL-WIFI-PHOENIX1-120W-40-NA-D01*

Description

WiFi Phoenix1 Street Light, 120W, 4000K, NEMA PWM, D01 Optics

Note: For additional CCT options and product colors contact Sales